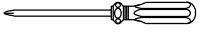


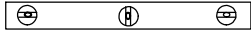
Installation Instructions

PA-2436-MO/PA-3048-MO

SUGGESTED TOOLS AND MATERIALS



Screwdriver



Level



Drill



Tape Measure



Safety Glasses



Pencil

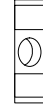
PARTS & HAREWARE INCLUDED



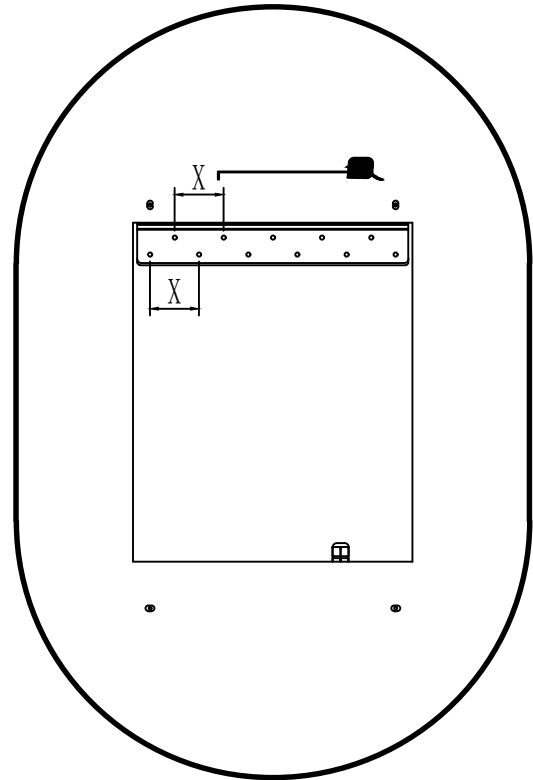
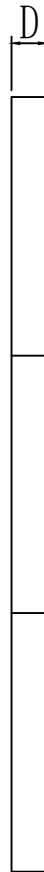
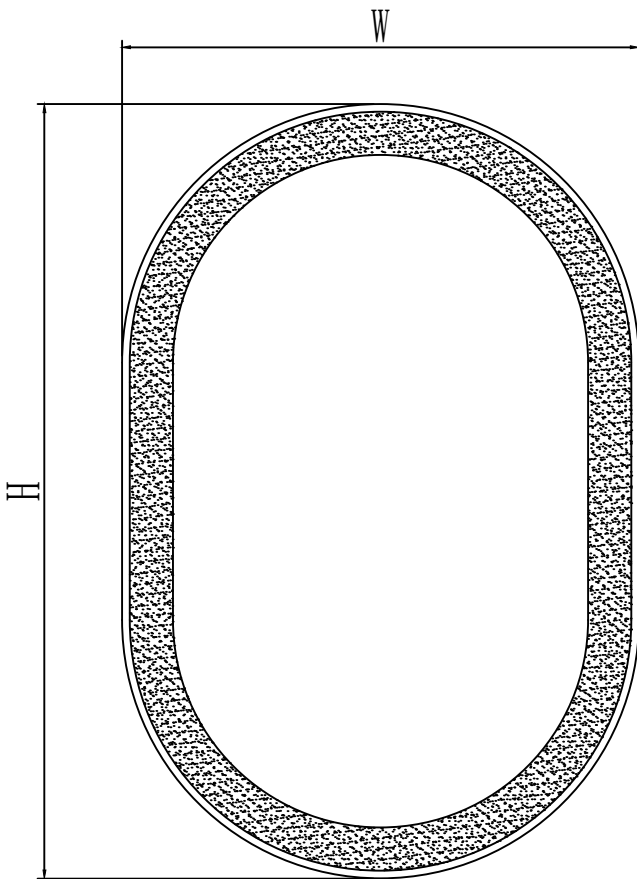
Anchor 6x



Screw 6x



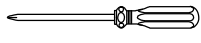
Level 1x



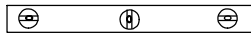
Installation Instructions

PA-2436-MO/PA-3048-MO

SUGGESTED TOOLS AND MATERIALS



Screwdriver



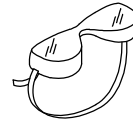
Level



Drill



Tape Measure



Safety Glasses



Pencil

PARTS & HAREWARE INCLUDED



Anchor 6x



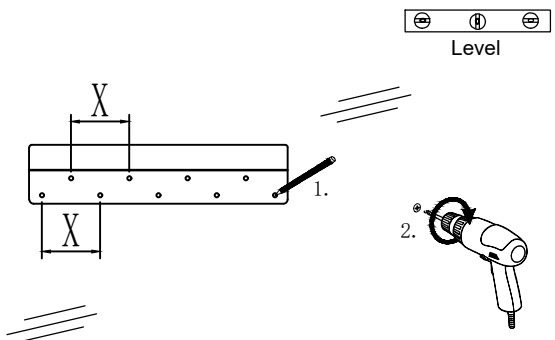
Screw 6x



Level 1x

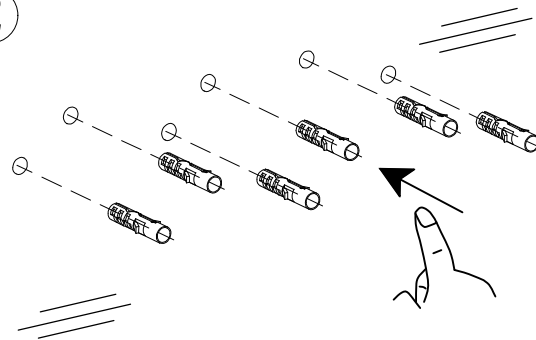
INSTALLATION INSTRUCTIONS

①



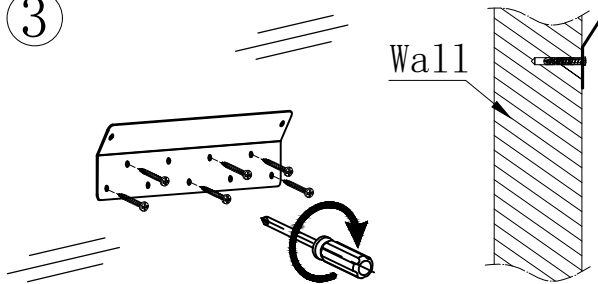
1>Level the hanging cleat with a level ruler and mark the installation hole position of the hanging cleat with a pencil
2>Drill holes

②



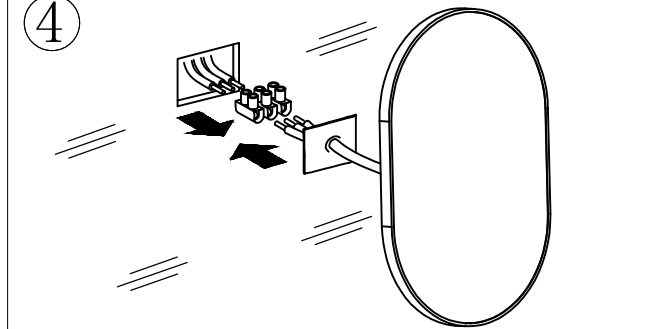
Insert the anchors into the wall(Use at least 5 anchors).

③



Install the hanging cleat into the wall.
Use 5x45mm screws to hanging cleat to wall(Use at least 5 screws).

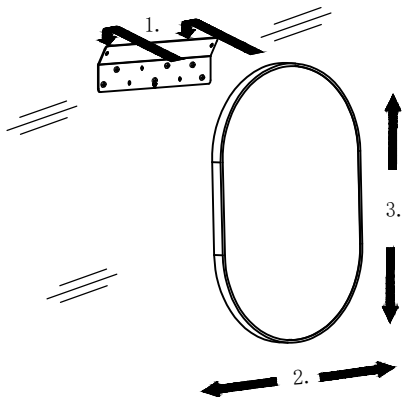
④



Wiring from light fitting

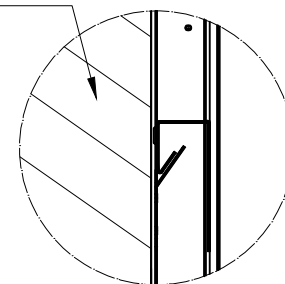
Neutral Wire			white(N)
Earth(green/yellow)			Green/yellow
Live Wire			black(L)

⑤



Hang the mirror onto the wall.

Wall



DETAIL A

Wall

